

LEGEND

- Glue
- * Cutout - make a hole



Model : No. 0284/IV/12



Colored Template

Iron Man Mark VII Part 3

Action Figure - Scale 1:6

Finally after about a week focusing on part 3 patterns, it's finally finished and released. The template will have the same versions as previously, colored, blank, and weathered blank template and also a rough setup of PDO file for Pepakura Designer. The detail on Iron Man mark VII leg actually is not too detail compared to War Machine one, but the shape is mainly curve that was quite hard to model to become a paper model. The joints are still quite similar to War Machine ones, but I make the hip joints bigger and more complicated on the knee joints. But overall it's not too hard to build, all parts are quite modular and easy to identified. Assembly instruction images are for the hip and right leg only, the left leg parts are with the same parts number only they were mirrored.

DISCLAIMER

Paper-replika is not endorsed by anyone to make this papercraft
Paper-replika is a personal unofficial fan & hobby site.
This papercraft is a fan made model.

DO NOT USE FOR ANY COMMERCIAL PURPOSES, PLEASE USE FOR PERSONAL USE ONLY.

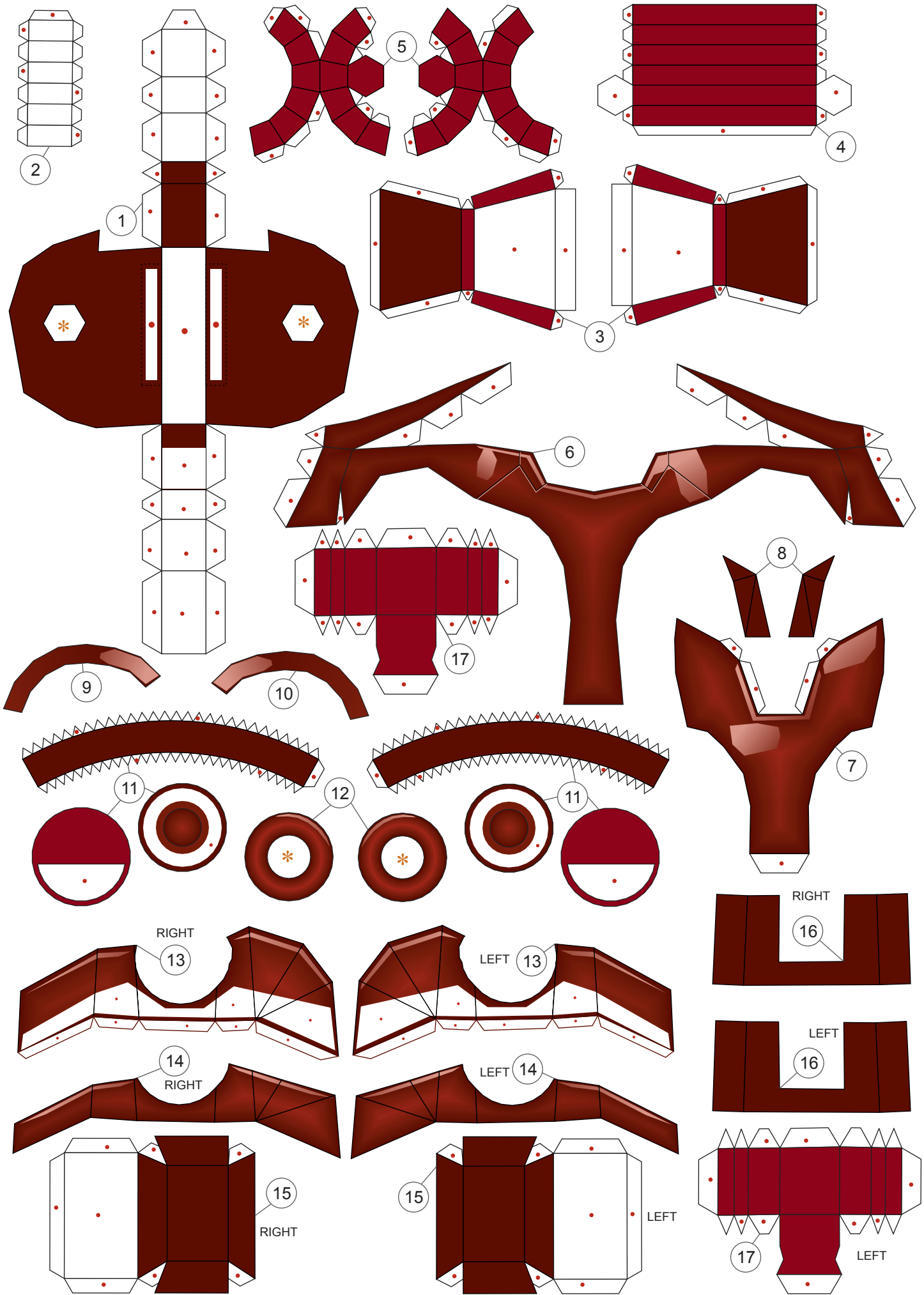
All trademarks mentioned belong to its respective

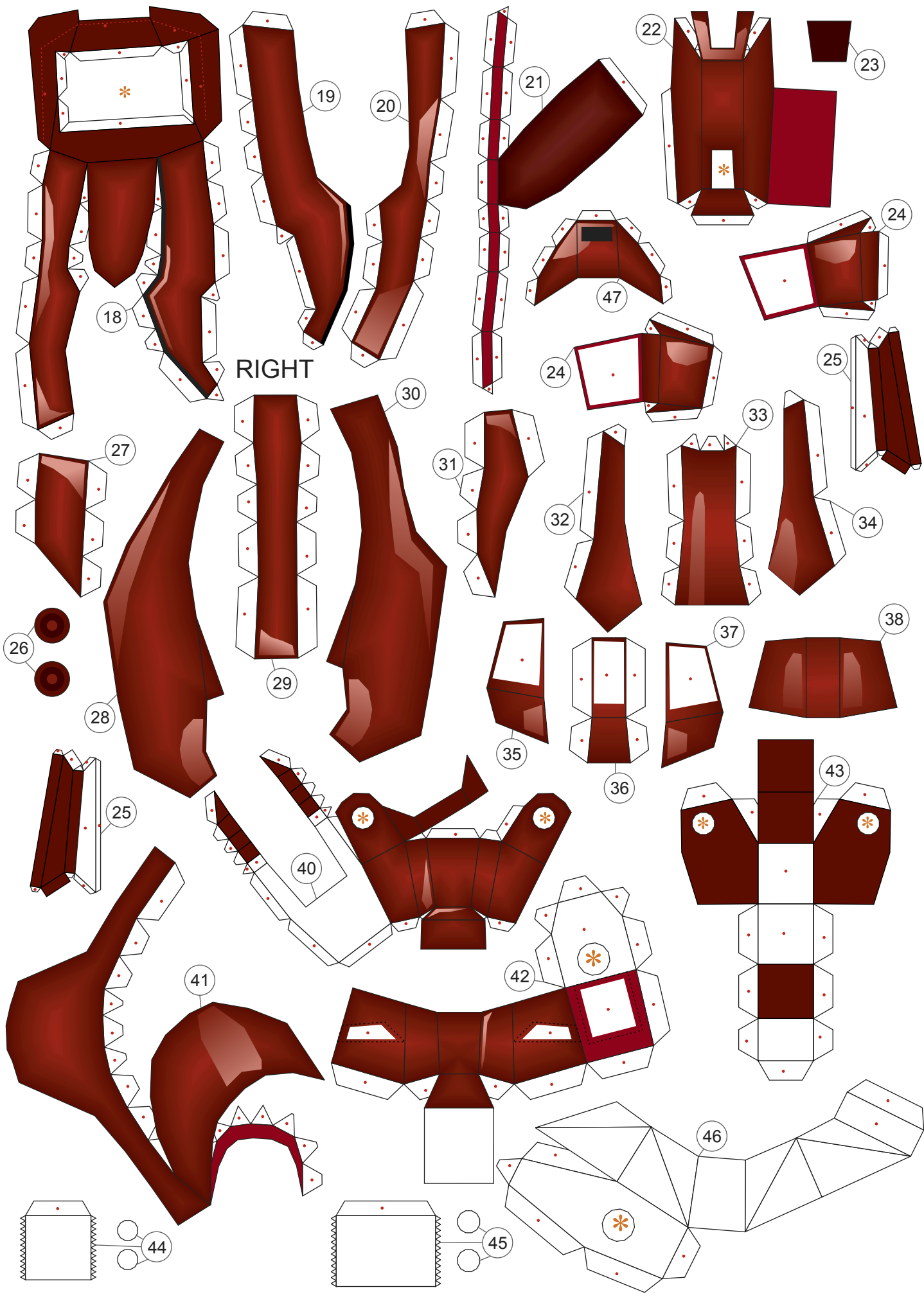
Visit : <http://marvel.com/universe/>

Assembly Instructions - click here

Petunjuk Perakitan

Paper model by Julius Perdana - 2012





RIGHT

18

19

20

21

22

23

24

47

24

25

27

30

31

32

33

34

26

28

29

35

37

38

25

40

36

43

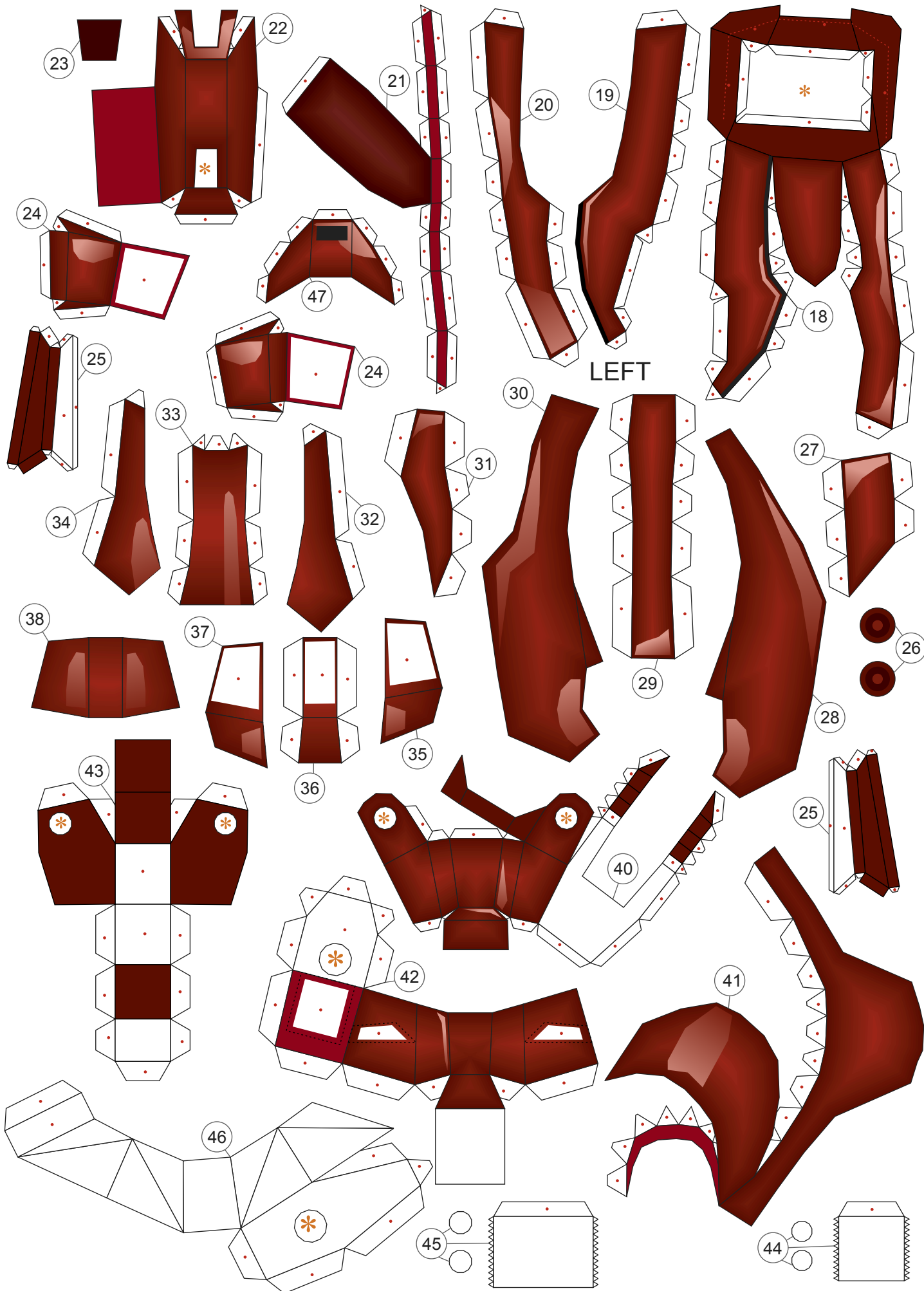
41

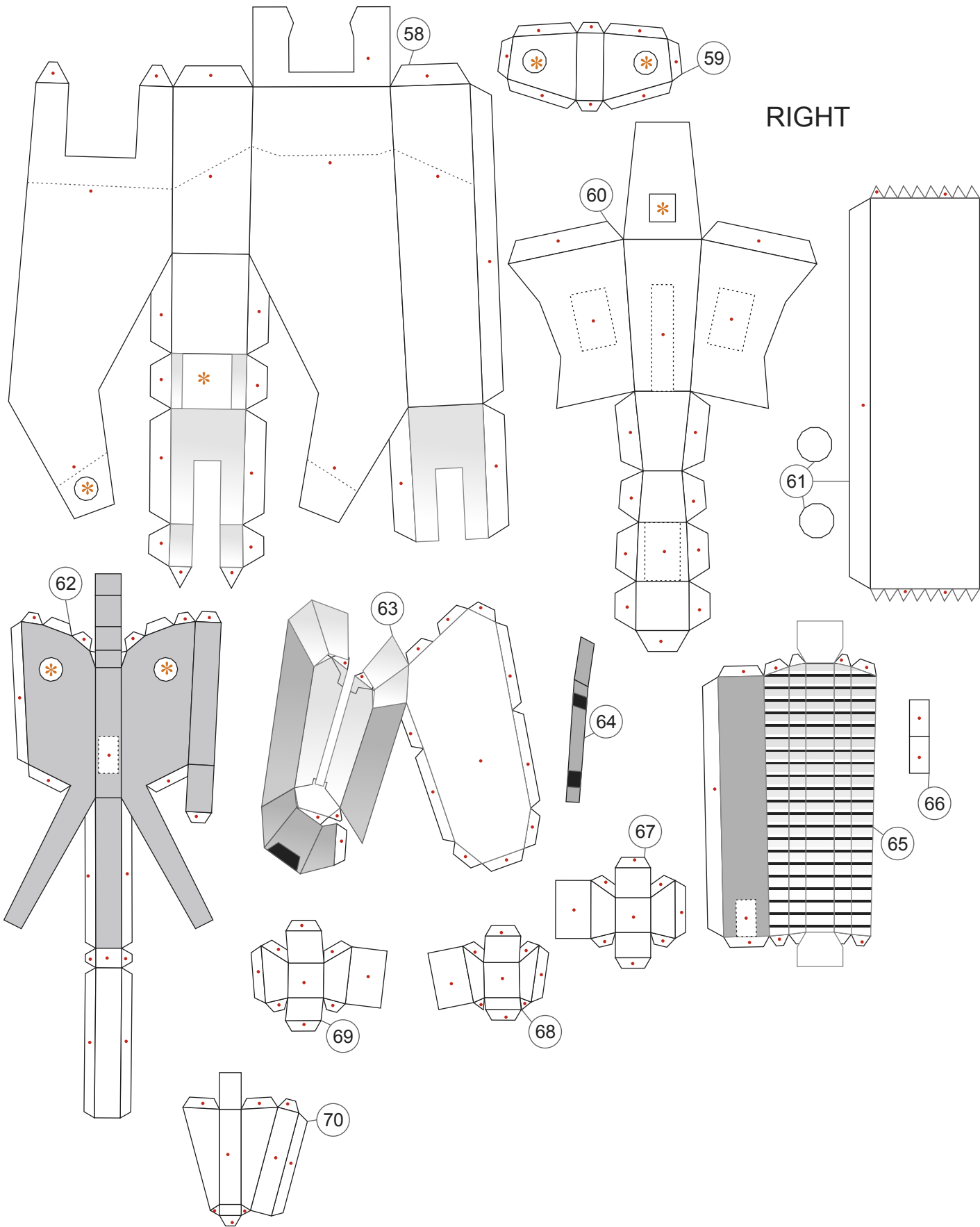
42

46

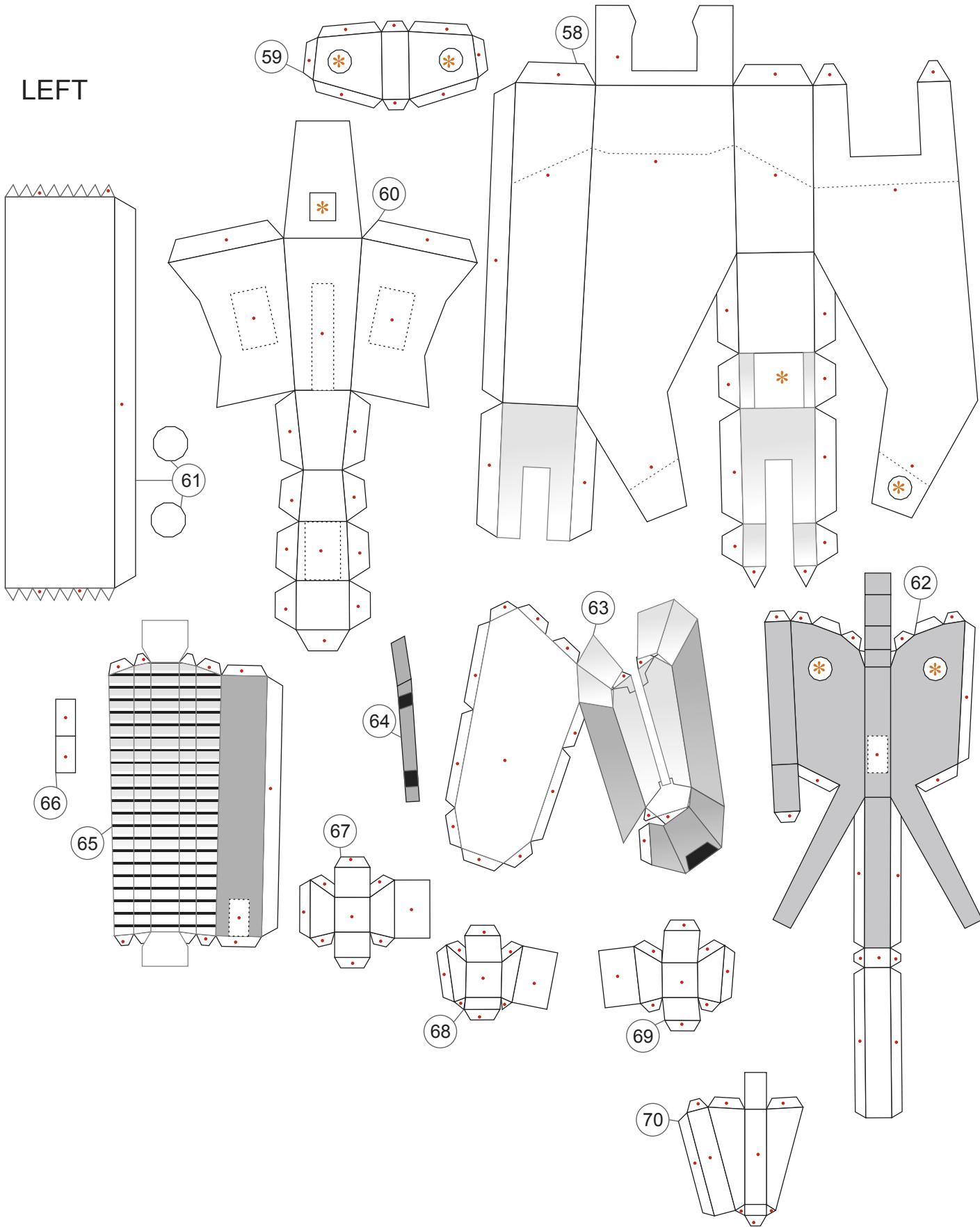
44

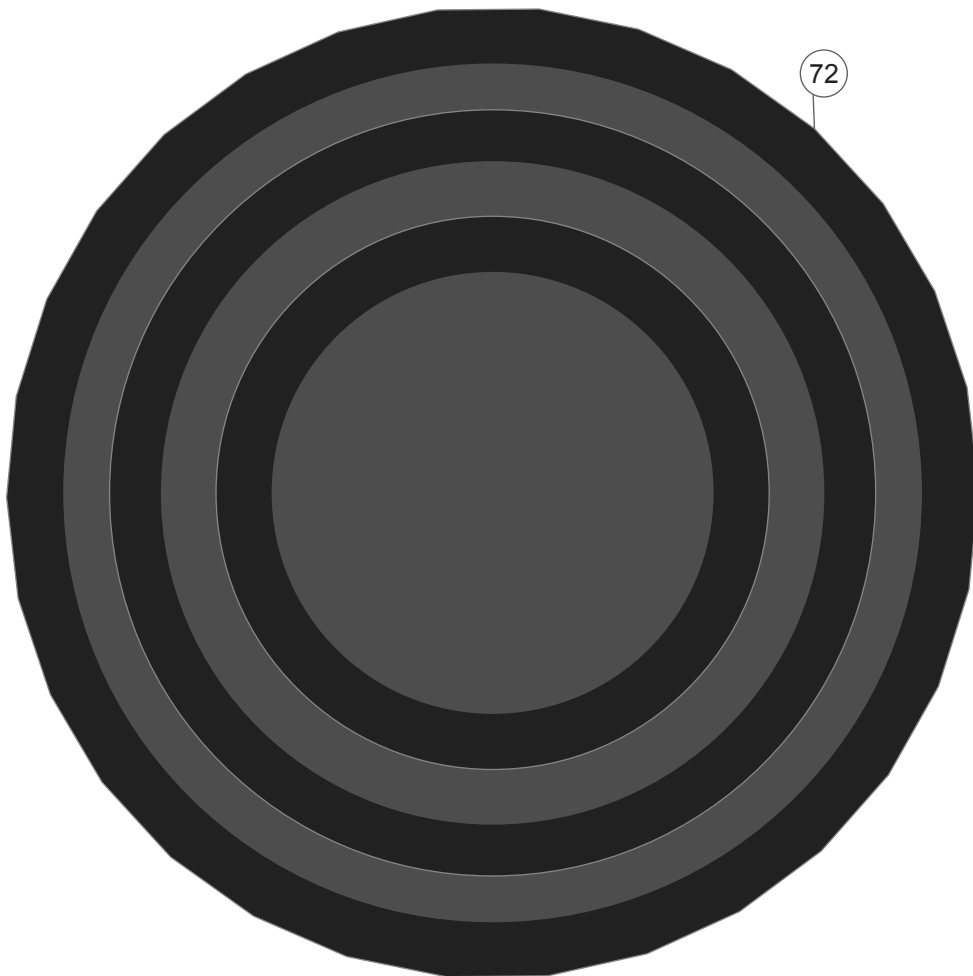
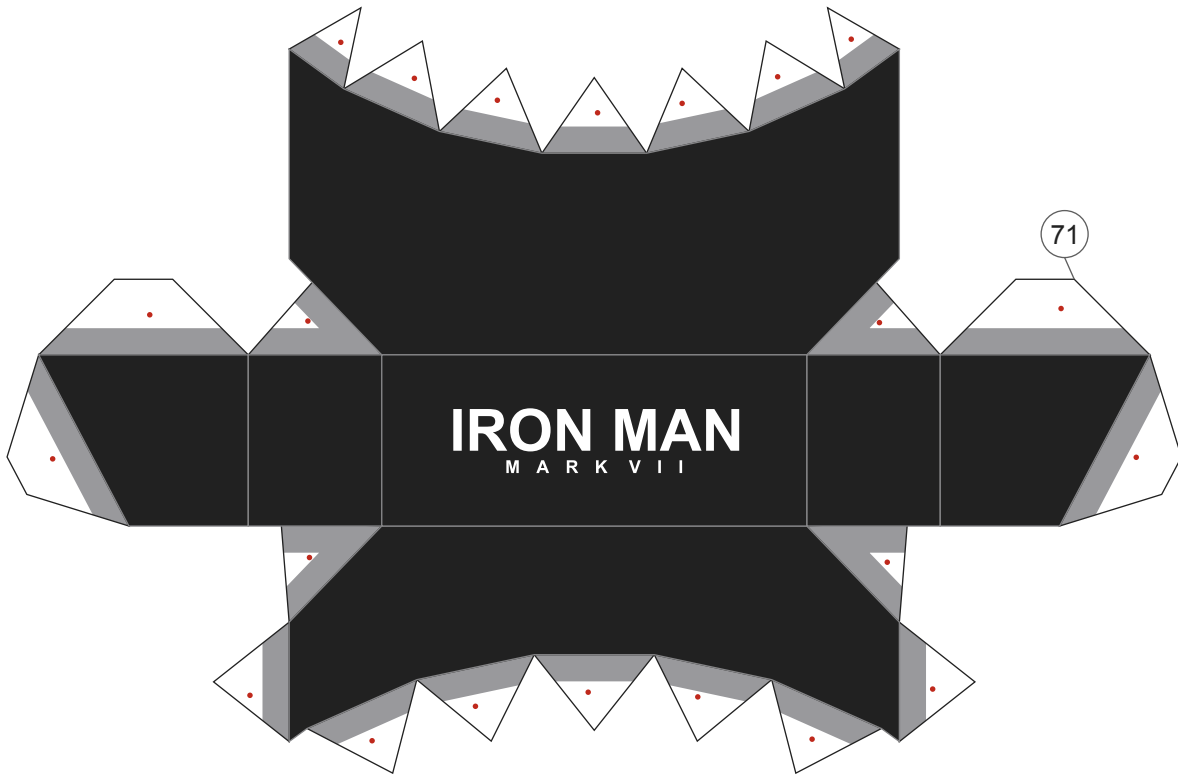
45

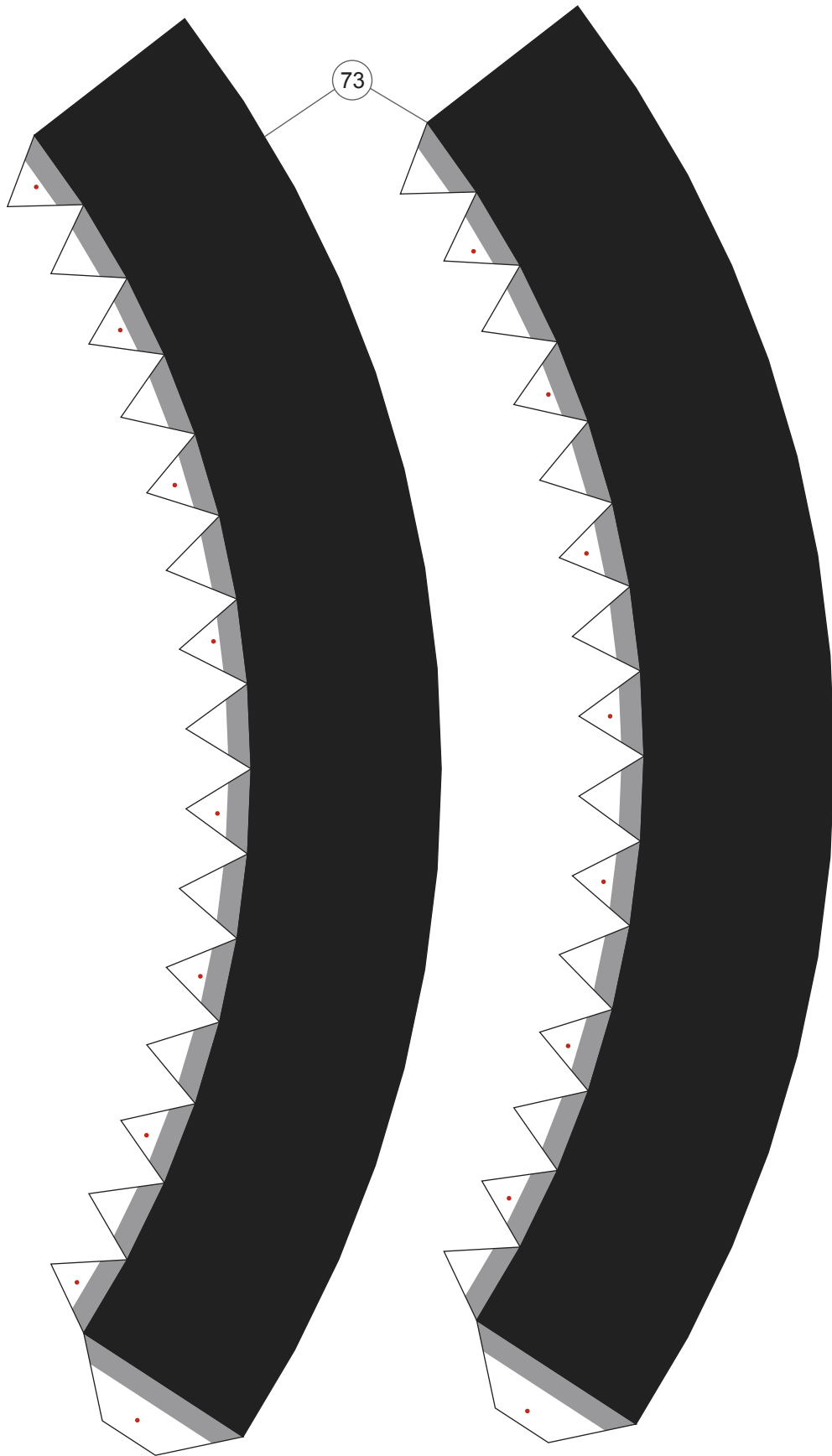


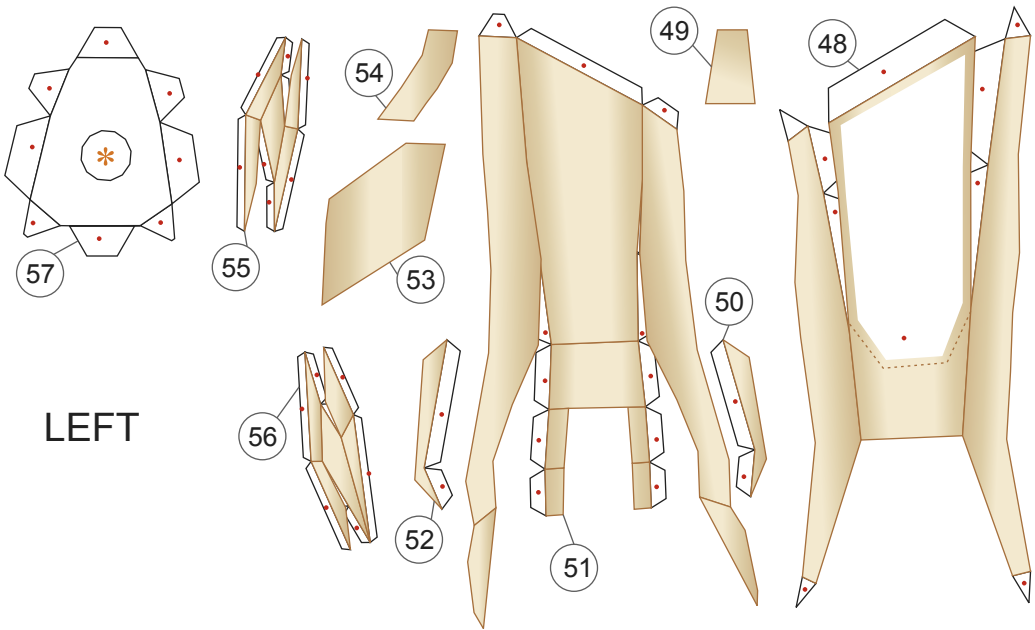
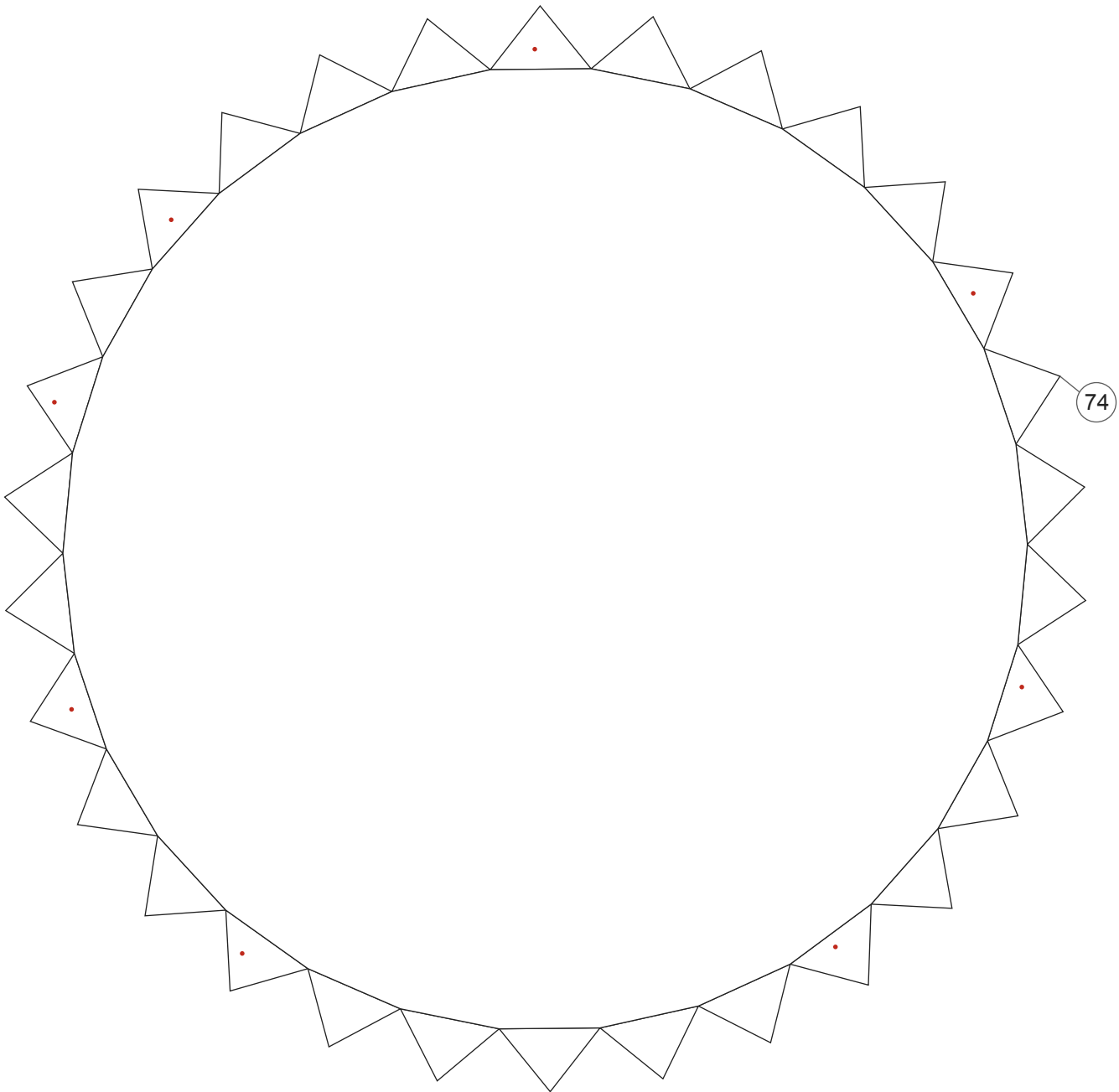


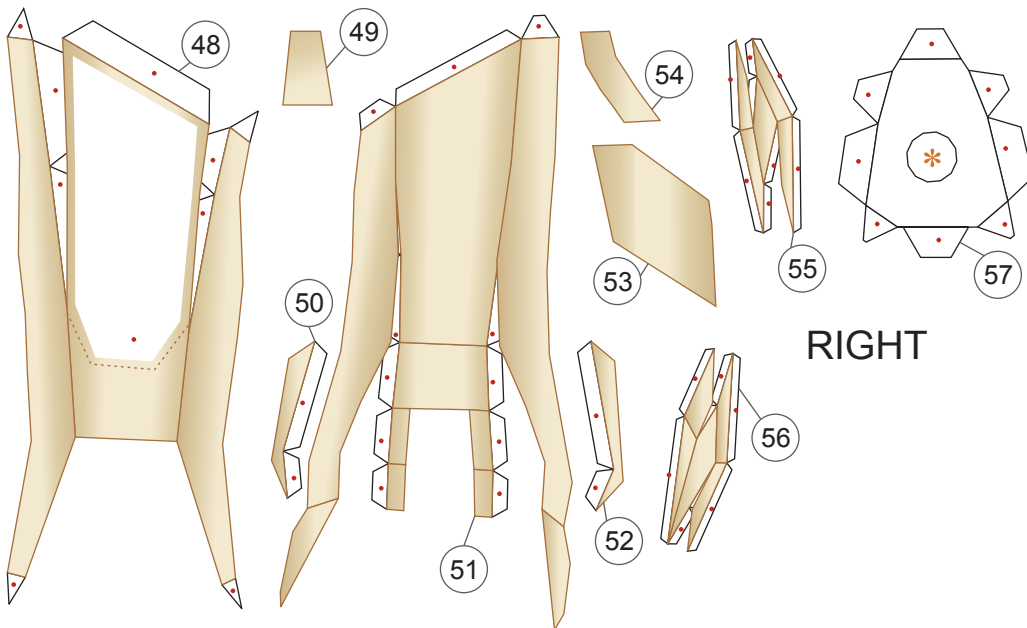
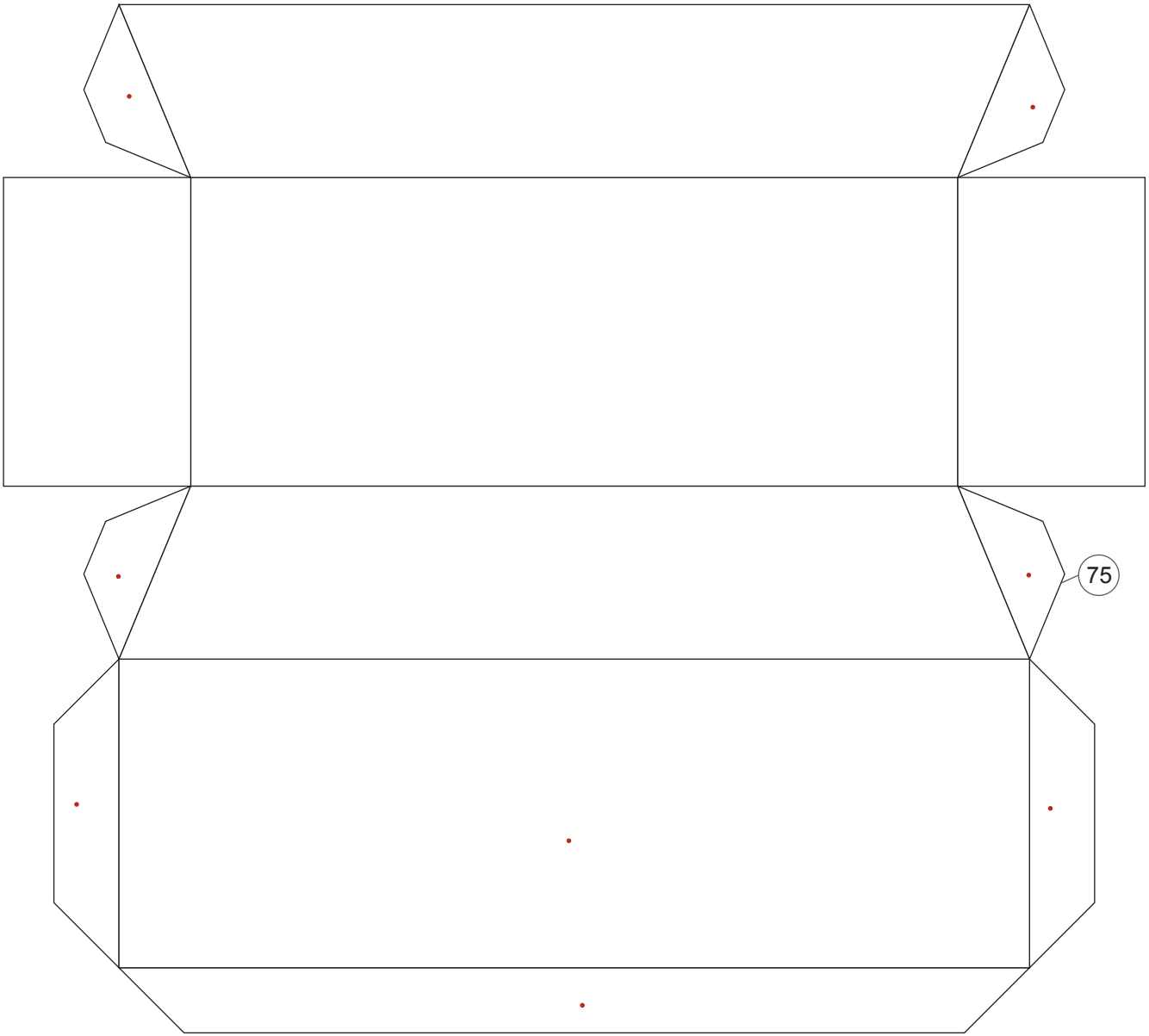
LEFT











RIGHT